


DESCRIPTION

- Various finishes identified by suffix
- 30" slide bar with lever height selection

OPERATION

- Handshower holder rotates to adjust angle of handshower
- Lever adjusts height

STANDARDS

- Designed and manufactured to comply with the applicable requirements of ASME A112.18.1/CSA B-125.1, and all applicable specifications referenced therein
- **ADA**  for lever height selection

WARRANTY

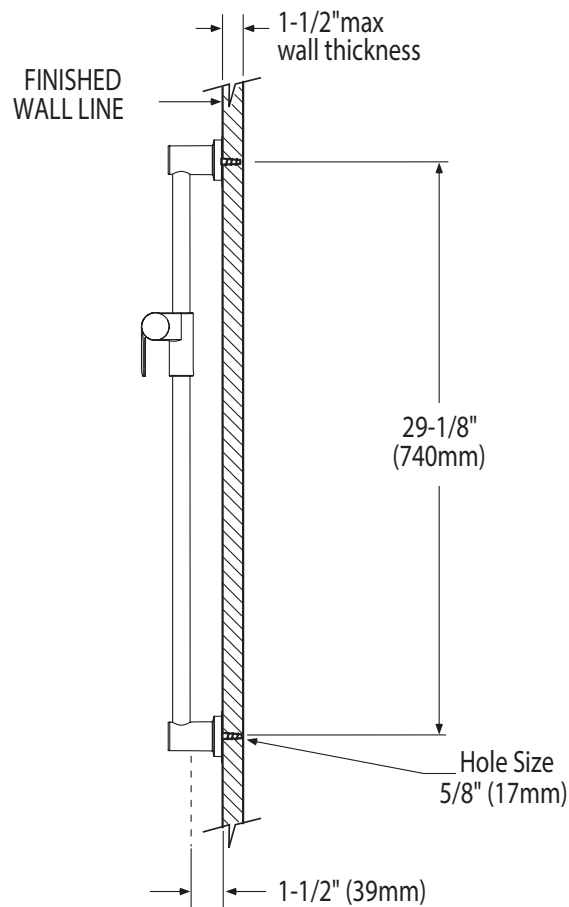
- Lifetime limited warranty against leaks, drips and finish defects to the original homeowner
- 10 year limited warranty when used in a multifamily installation
- 5 year limited warranty when used in a commercial installation

Visit www.moen.com/support for complete details and limitations



30" Slide Bar

Model: 198017 series



CRITICAL DIMENSIONS

(DO NOT SCALE)